

# The 1986 Volkswagen Vanagon







Every Volkswagen has been conceived with the classic German passion for engineering excellence. Yet even in Germany, a land of automotive geniuses and giants, Volkswagen engineers are a breed apart. They have never been content to compete, they must excel.

#### A labor of love

Volkswagen engineers are innovators. They always employ the most sophisticated technology, and when it is lacking, they create it themselves. They are perfectionists. They insist their own craftsmanship undergo inspection after inspection to assure that every Volkswagen is as perfect as man and machine can make it. They are practical. They have made every Volkswagen affordable, and built into it an efficiency,\* reliability and durability that truly make it a great automotive value.

#### Share the feeling

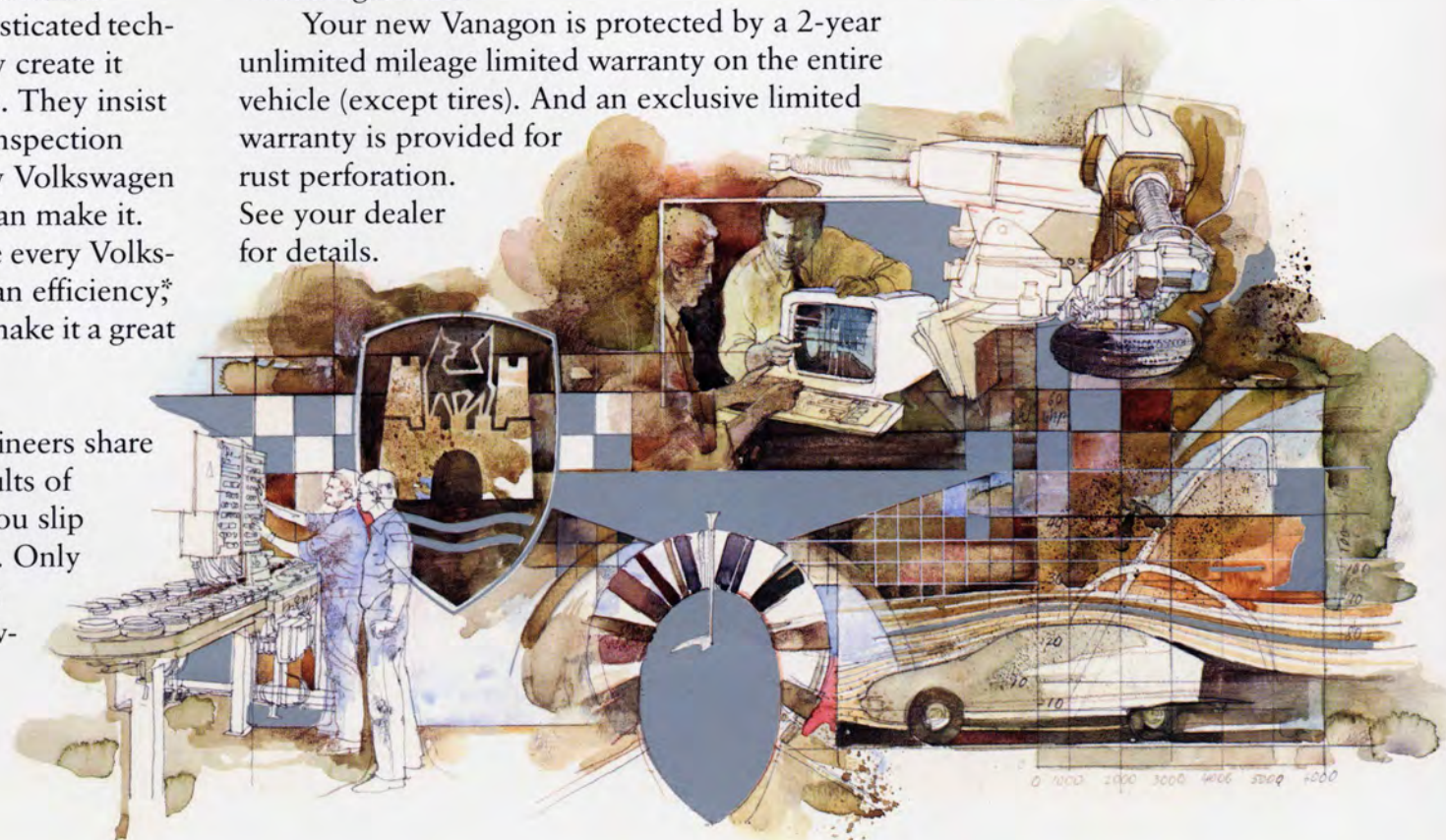
But above all, Volkswagen engineers share a passion for performance, the results of which you will experience when you slip behind the wheel of your Vanagon. Only then will you fully understand that you're not driving a car, you're driving a Volkswagen.

#### The Volkswagen 2-year Unlimited Mileage Protection Plan

Volkswagen's commitment to quality extends to your peace-of-mind protection after you buy your new van. Our confidence in our products has led us to provide a Protection Plan that's as simple and straightforward as a Volkswagen itself.

Your new Vanagon is protected by a 2-year unlimited mileage limited warranty on the entire vehicle (except tires). And an exclusive limited warranty is provided for rust perforation. See your dealer for details.

Both the Vanagon and the Vanagon Camper offer true leadership in a German engineered and built passenger van and recreational vehicle. Versatility, reliability and durability make either the single smartest purchase you can make to meet your personal transportation needs.



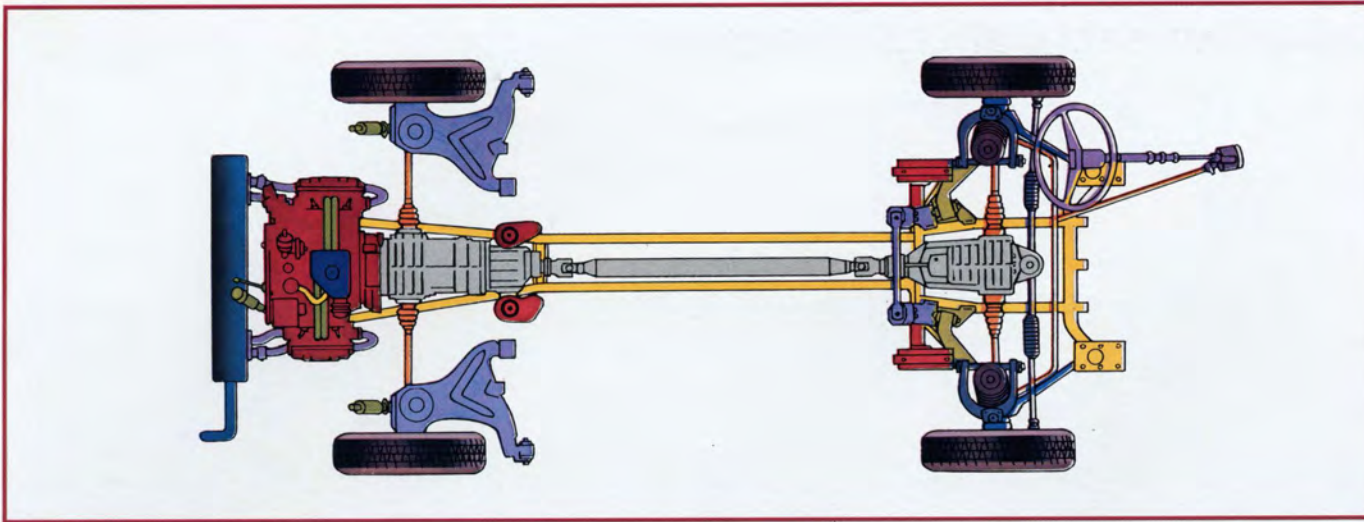


A big, comfortable room that moves.



\*See EPA fuel economy figures on specifications page.





Our German engineers have done it again! They've built into both the Vanagon and Camper an all-wheel drive system that dramatically improves both on-the-road and off-the-road capabilities. Introducing the incredible all-wheel drive Vanagon Syncro and Camper Syncro.

#### Automatic all-wheel drive

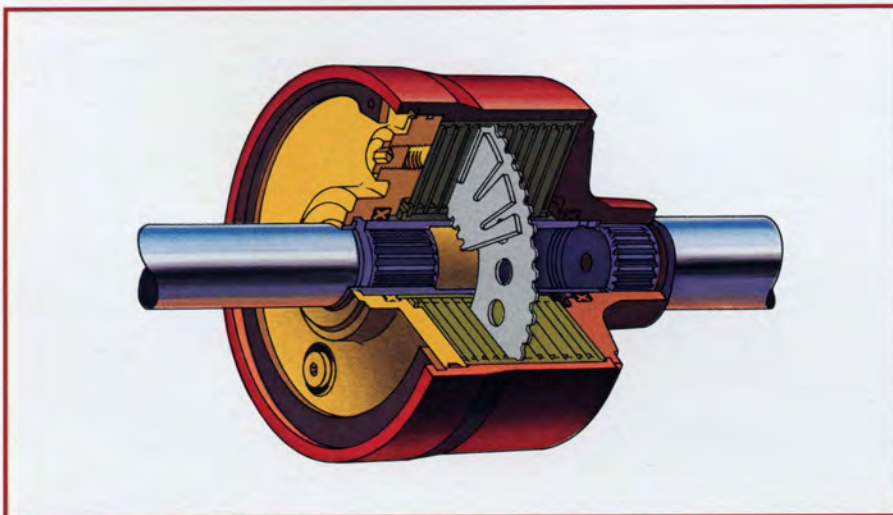
The innovative Syncro all-wheel drive is permanently available and switches on automatically and smoothly whenever it senses a difference in speed between the front and rear axles. Thus, handling and safety are improved in foul weather. Greater directional control

is achieved during cornering. And extraordinary traction is available for off-the-road ventures.

#### Equipped to blaze new trails

To utilize this all-wheel drive capability to the fullest, the Vanagon Syncro models sport some very special equipment. There's an extra low gear for better start-up traction on difficult driving surfaces. Larger tires and a higher ground clearance. Plus an 18.4 gallon fuel tank.

All of which should induce you to drive the Vanagon Syncro to more adventurous places than you ever have before.



The heart of the Syncro all-wheel drive system is a viscous coupling that acts like an automatically locking differential. Under normal driving conditions, the driving force is transmitted via the rear wheels. Should the rear wheels begin to spin, as on ice, snow or loose gravel, the viscous coupling begins to lock and power is transmitted to the front wheels. The all-wheel drive system is constantly in action with the degree of power to the front wheels being regulated by the particular driving conditions.





The foul weather gear is built right in.







The Vanagon combines practicality and performance in a comfortable, spacious passenger van. German ingenuity has turned the Vanagon into a Camper offering outstanding flexibility, comfort and convenience in a truly unique and exciting recreational vehicle.

By continually improving the Vanagon's performance and versatility, our engineers have steadfastly maintained its leadership position.

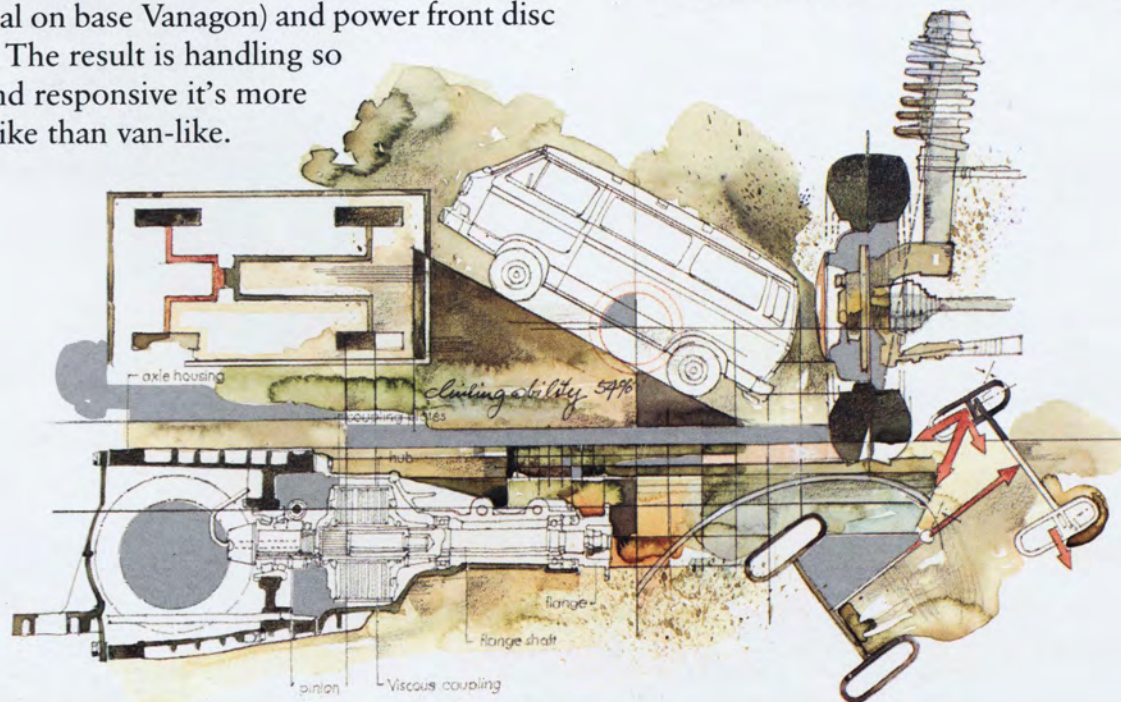
#### It carries on like a sedan

Both the Vanagon and Camper are technically brilliant. Both are powered by an outstanding 2.1 liter fuel-injected engine coupled to a 4-speed transmission. They also enjoy sophisticated engineering features like fully independent suspension, power rack and pinion steering (optional on base Vanagon) and power front disc brakes. The result is handling so crisp and responsive it's more sedan-like than van-like.

#### Domestic bliss on wheels

Of course, once inside, you know you're in a very special van. The Vanagon carries seven passengers in comfort and a whopping 49.7 cubic feet of cargo. The Camper GL carries its own home. Domestic amenities include a unique pop-top roof with skylight. A kitchenette. Swivel seats. And two double beds.

With the Vanagon, you'll enjoy getting there. With the Camper, you'll never want to leave.





Set up house in the middle of nowhere.







◀ The Vanagon GL features 7-passenger comfort with plush velour seats and fold-down armrests.

▶ The base Camper features a folding rear bench seat that converts to a double bed.

▼ Vanagon's padded instrument panel places all controls within easy access of the driver.

The Vanagon is graciously appointed with a thoughtful array of standard comfort and convenience features. Among them are tinted glass. A fully padded dash with an illuminated, lockable glovebox. Rear window defroster. And intermittent wipers. If you'd like even more luxury, the Vanagon GL adds contoured front bucket seats with fold-down armrests, power steering and a tachometer.

#### A true mobile home

The base Camper is the perfect solution for those who like to get away for the weekend, but need a family size van for six during the week.

Special features include a rear-facing seat behind the driver, two double bed areas, a clothes locker and storage cabinets, a folding side table, a removable ice box, even a second 12-volt battery. Inside the Camper GL, the kitchen contains a sink, stove, refrigerator and extra cupboard space, so preparing gourmet meals is a cinch. And front seats swivel to face swing-out tables for gracious dining.

So put your feet up, plug in the TV and you'll never know you left home.





# Furnished for performance and pleasure.



The Vanagon Camper's impressive array of major household facilities will make you feel right at home, even when you're a hundred miles from nowhere.

- ▶ A second double bed area is standard on the Camper and Camper GL.
- ▼ The Camper GL kitchen includes a sink, 2-burner LP gas stove and a gas/electric refrigerator.
- ▶ Folding side tables and swivel front bucket seats on the Camper GL allow you to enjoy meals in comfort and intimacy.





# Options

Since driving habits are as individual as you are, a complete selection of options and dealer installed accessories are available to help you equip your new Vanagon to suit your personal preferences.

And since Volkswagen policy is one of continual improvement in its products, be sure to consult your dealer for advice concerning current availability of the options and accessories you desire.



Optional equipment pictured includes:

- ▲ (L) A rear window washer/wiper with intermittent feature.
- ▲ (R) A giant sunroof (Not available with air conditioning).
- ◀ AM/FM cassette radio.
- ▶ Automatic transmission (Not available on Syncro models).
- ▼ (L) Power mirrors.
- ▼ (R) Power windows.





## Features And Options

S=Standard O=Optional --=Not Available

	VANAGON L	VANAGON GL GL Syncro	CAMPER Camper Syncro	CAMPER GL GL Camper Syncro
<b>MECHANICAL</b>				
2.1 liter water-cooled fuel injected engine	S	S	S	S
4-speed manual transmission	S	S <sup>1</sup>	S <sup>1</sup>	S <sup>1</sup>
Automatic All-Wheel Drive (Syncro models only)	--	S	S	S
Electronic breakerless ignition	S	S	S	S
Independent front and rear suspension	S	S	S	S
Power assisted brakes (front discs/rear drums)	S	S	S	S
Power rack and pinion steering	O	S	O	S
Dynamic oil pressure system	S	S	S	S
Longer life spark plugs	S	S	S	S
185/80R14 steel belted radial tires	S	S <sup>2</sup>	S <sup>2</sup>	S
Thermostatically controlled 2-speed electric radiator fan	S	S	S	S
<b>EXTERIOR</b>				
Unitized body construction	S	S	S	S
Energy absorbing bumpers	S	S	S	S
Dual outside mirrors (convex on passenger side)	S	S	S	S
Sliding side door	S	S	S	S
Tinted glass; electric rear window defogger	S	S	S	S
Intermittent wipers	S	S	S	S
Pop-top roof with double bed and cargo carrier	--	--	S	S
Water tank, city water hookup, 110-volt electrical hookup	--	--	--	S
Full wheel covers (Hub caps std. on Vanagon L)	O	S	S	S
<b>INTERIOR</b>				
Padded instrument panel with full instrumentation including speedometer, trip odometer, illuminated glove box, map light and shelf	S	S	S	S
7-passenger seating capacity with armrests <sup>3</sup>	--	S	--	--
Velour upholstery <sup>4</sup>	--	S	--	S
Corduroy upholstery	O	--	S	--
Fold down rear seat backrest	S	S	S	S
Full carpeting	S	S	S	S
Tachometer and digital clock	--	S	--	S
Illuminated vanity mirror	--	S	--	S
Illuminated/lockable glove box	S	S	S	S
Folding rear bench w/o armrests	O	O	S	S
Cloth inlays in door panels	--	S	S	S
Clothes locker/3-door closet, overhead storage cabinet, fluorescent interior light, privacy curtains, removable screen for hatch door, skylight	--	--	S	S
Removable carpet in living room, provision for center seat installation, gas 110/12-volt refrigerator, store-away tables, 2-seater folding bench seat, 110-volt electrical outlet, circuit breaker, electrical cable, LP gas stove/tank	--	--	--	S
Second 12-volt battery, cushioned seat behind driver's seat, removable 110/12-volt ice box, folding side table, 3-seater folding bench seat, 3 cup holders	--	--	S	--
<b>OPTIONS</b>				
Air conditioning	O	O	O	O
AM/FM cassette radio	O	O	O	O
Rear wiper with intermittent feature	O	O	O	O
Power steering	O	S	O	S
Sunroof (N/A with air conditioning)	O	O	--	--
Power mirrors	O	O	O	O
Power windows	--	O	O	O
Power locks	--	O	--	O
Cruise control	O	O	O	O
Alloy wheels	--	O	O	O
Locking rear differential (Syncro models only)	--	O	O	O
Weekender package: folding bed, engine compartment cushion-cloth only	O	O <sup>5</sup>	--	--
Metallic paint	O	O	O	O

<sup>1</sup> Extra low gear on all Syncro models. <sup>2</sup> 205/70R14 on Syncro models. <sup>3</sup> 6-passenger capacity on Camper and Camper Syncro; 4-passenger capacity on Camper GL and GL Camper Syncro. <sup>4</sup> Leatherette std. on Vanagon L.

<sup>5</sup> Only available with a beige or blue interior on Vanagon GL.



The Golf, GTI, Jetta, Cabriolet, Scirocco, Quantum, Vanagon and Vanagon Camper are proud examples of Volkswagen's unending commitment to build affordable, quality crafted products offering engineering excellence, exceptional performance and driver control, durability and lasting value.

## Specifications

ALL VANAGON/CAMPER MODELS			
ENGINE TYPE	4-cylinder, horizontally opposed fuel-injection		
DISPLACEMENT	2.1 liter, 129 cu. in.		
HORSEPOWER @ RPM (SAE Net)	95 @ 4,800		
TORQUE @ RPM	117.3 ft. lbs. @ 3,200		
BODY/FRAME CONSTRUCTION	Unitized construction		
FRONT SUSPENSION	Independent with upper and lower control arms, coil springs, telescopic shock absorbers		
REAR SUSPENSION	Independent with semi-trailing arms, coil springs, telescopic shock absorbers		
STEERING TYPE	Rack and pinion		
TURNING CIRCLE	35.1 ft. (37.7 ft. with power steering)		
BRAKES	Dual hydraulic system with power assist. 10.9" front discs, 9.9" rear drums. Inertia-controlled pressure regulator. Mechanical parking brake.		
<b>DIMENSIONS</b>			
Wheelbase	96.9" (96.6" Syncro)	Overall width	72.6"
Front track	62.4"	Overall height	77.2" (78.3" Syncro)
Rear track	61.8" (61.4" Syncro)	Camper height	80.9" (82.1" Syncro)
Overall length	179.9"	Ground clearance	7.5" (8.3" Syncro)
<b>CAPACITIES</b>			
Cargo capacity	49.7 cu. ft. (Rear seat up) 92.9 cu. ft. (Rear seat down)		
Seating capacity	201.0 cu. ft. (Rear seat down, center seat removed) Vanagon 7 or 9 Camper 4, 5 or 6		
Fuel tank capacity	15.9 U.S. gallons (18.4 U.S. gallons on Syncro)		
<b>WHEELS AND TIRES</b>			
Steel wheels	5½J x 14		
Radial tires	185R14C6PR (205/70 R14 Syncro)		
<b>EPA MILEAGE ESTIMATES*</b>			
	50 STATES		
	CITY	HIGHWAY	
Vanagon/Camper w/4-speed	16	18	
Vanagon/Camper w/automatic	14	16	
Vanagon Syncro w/4-speed	N/A	N/A	
Vanagon Camper Syncro w/4-speed	N/A	N/A	
<b>EXTERIOR COLORS</b>			
Vanagon	Pastel White Savannah Beige Metallic Flash Silver Metallic Bronze Beige Metallic	Merian Brown Marine Blue Dove Blue Metallic Wolfram Grey Metallic	

Not all colors are available on all models. See your Volkswagen dealer for color and trim selections.

\*Remember: Use the EPA estimated mileage for comparison to others. Your actual mileage may vary depending on speed, trip length and weather. Volkswagen United States, Inc. believes the specifications in this brochure to be correct at time of printing. However, specifications, standard equipment and options are subject to change without notice. Some options may be unavailable when your vehicle is built. Please ask your dealer for advice concerning current availability of options and verify that your vehicle includes the optional equipment you ordered. GOLF, GTI, JETTA, SCIROCCO, QUANTUM, VANAGON and VOLKSWAGEN are registered trademarks of VOLKSWAGEN AG. Form No. W64 256 6011 Litho in U.S.A. Seatbelts save lives.



