

STORAGE AND CABINETS

4

ELECTRICITY

6

TABLES AND SEATS

7

REFRIGERATOR

9

SLEEPING

11

ROOF

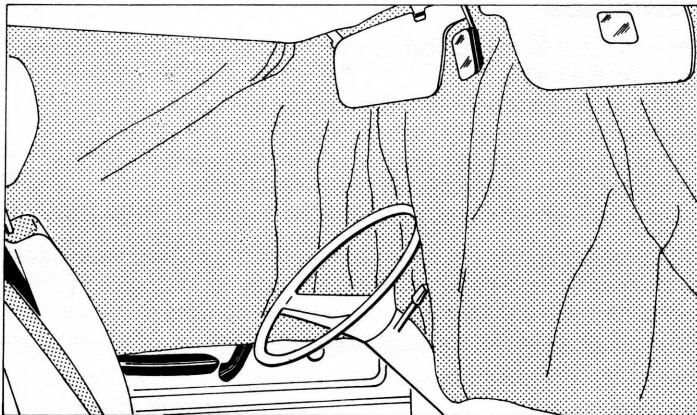
13

GENERAL AND INDEX

15

SLEEPING

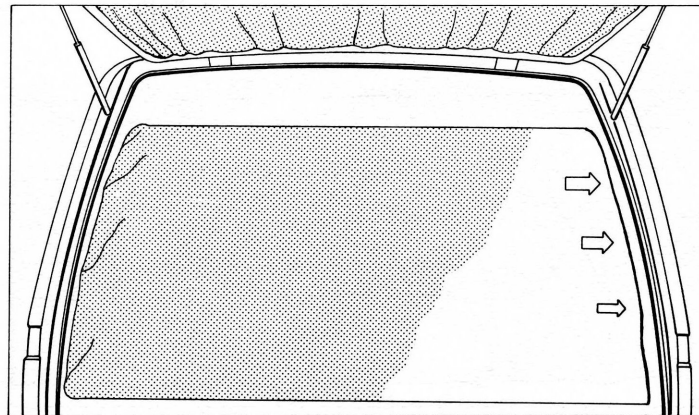
CURTAINS



The curtains cover all windows in the Camper, even the windshield to give you complete privacy. The passenger compartment curtains are mounted on built-in curtain rods. When closed, the curtain panels can be snap-fastened to each other, and an elastic band holds the bottom hem flush against the vehicle's side walls. The curtain cornice above the sink cabinet can be used to store small items. The curtain for the windshield and front door windows can be installed with the snap fasteners provided.

Safe driving requires that you have an unobstructed view of the road at all times. Remember to reposition the curtains so that you have a clear view all around you before driving off.

INSECT SCREENS



To provide maximum flow-through ventilation for comfortable sleeping at night, insect screens are installed on the sliding side windows. The screens can be removed for cleaning.

The hatchback screen can best be installed with the hatchback open. Simply press the snap-fasteners into the locations provided. The hatchback can be closed with the screen installed.

Always keep the hatchback closed while driving to prevent exhaust gas from being drawn into the vehicle.

Camper



WELCOME to the growing family of VW Camper owners!

You now own a Volkswagen for day-to-day driving and a comfortable home away from home. Safe, dependable transportation, custom equipped for recreation and fun.

The VW Camper looks like a VW Station Wagon. And it IS a VW Station Wagon at heart. Your Vanagon Owner's Manual explains everything you should know about the vehicle. **Be sure to read the Owner's Manual to learn how to operate your Vanagon safely.**

On the following pages, you'll see what makes your Vanagon a Camper. We'll tell you all about the equipment in your Camper and how to use it. Take a few minutes to read this manual and make yourself at home, literally

Text, illustrations and specifications in this manual are based on information available at the time of printing. It has always been Volkswagen's policy to continuously improve its products. Volkswagen, therefore, reserves the right to make changes in design and specifications, and to make additions or improvements in its product, without incurring any obligation to install them on products previously manufactured.

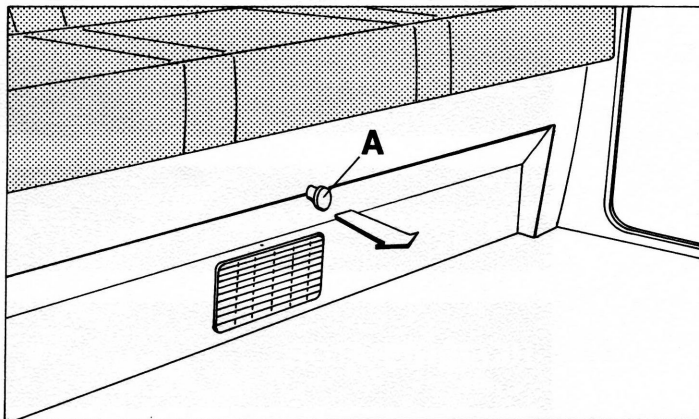
WESTFALIA-WERKE, FRANZ KNÖBEL & SÖHNE KG
4840 WIEDENBRÜCK, W. GERMANY

May not be reproduced or translated in whole or in part without the written consent of Volkswagenwerk. Specifications subject to change without notice.
All rights reserved. Printed in W.-Germany.

W 42-030-960-1

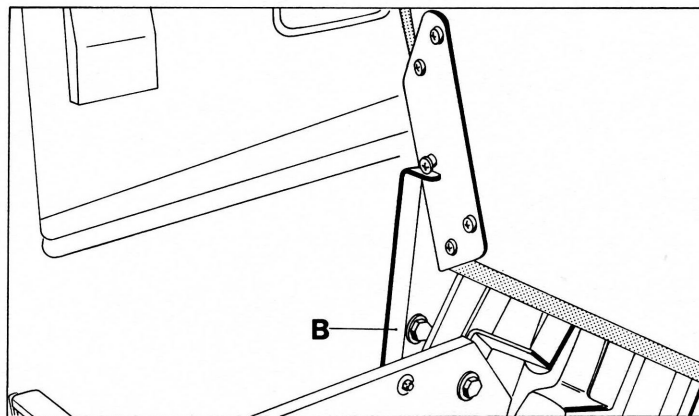
STORAGE AND CABINETS

STORAGE LOCKER



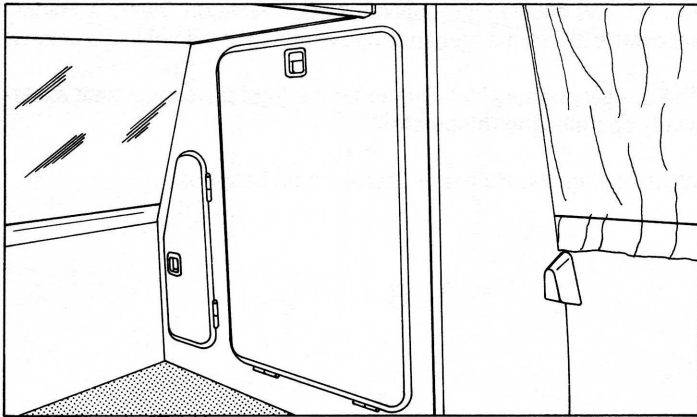
The large storage compartment is under the seat cushion of the rear bench.

To gain access to the storage space, pull knob **A** toward you and lift the seat cushion at the same time.



Secure the seat cushion lid with support rod **B** provided on the left-hand side.

CLOSETS



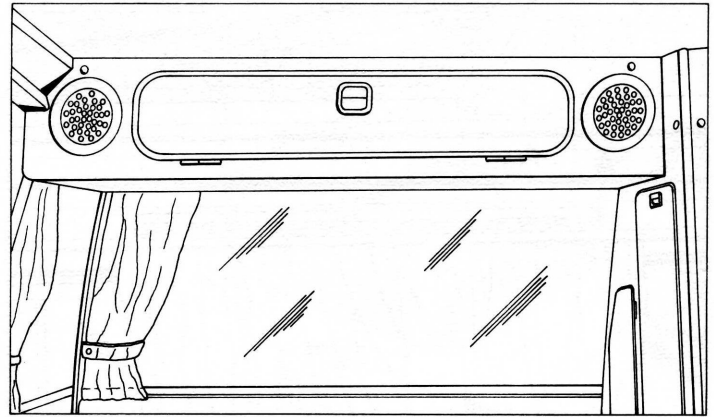
Linen closet

A roomy linen closet is built into the left rear side wall (as seen in driving direction).

Note:

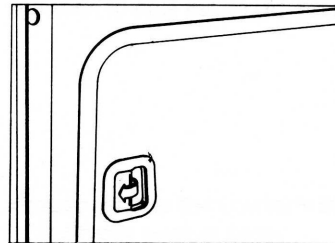
If your Camper is equipped with an optional air conditioner, the overhead unit replaces the ceiling cabinet.

CABINETS



Ceiling cabinet

The ceiling cabinet is located in the rear of the vehicle above the rear deck mattress. Store only light items in the ceiling cabinet. The maximum weight must not exceed 20 lbs or 10 kg.

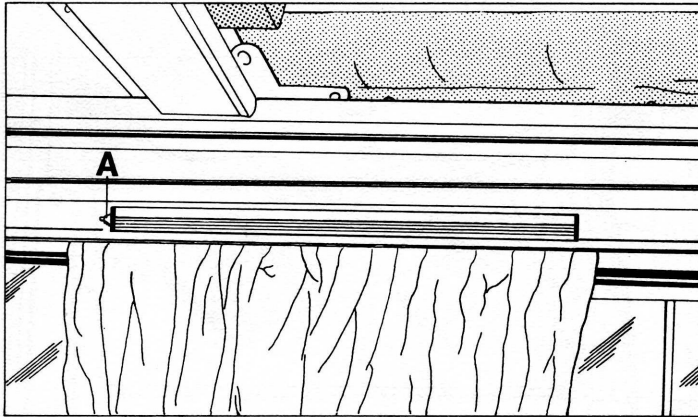


Doors

To open cabinet and storage chest doors, lid covers and utensil drawer, pull the recessed handles in direction of illustrated arrow.

ELECTRICITY

ELECTRICAL SYSTEM (12 Volt)



Interior Light

The light housing is located on the trim panel above the sliding window

To switch the light on or off, push button (A) on left side of housing.

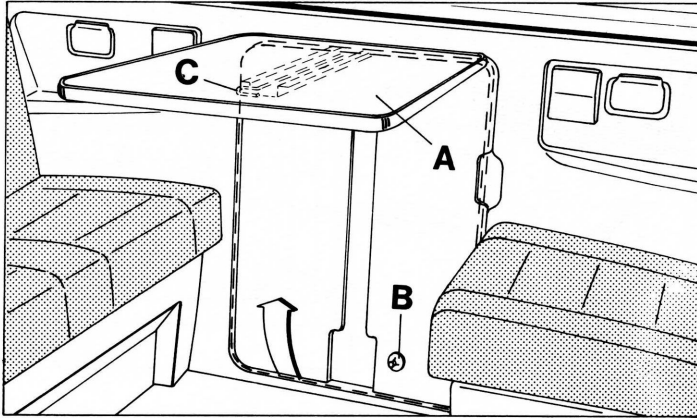
BATTERY

You will find detailed information in your Vanagon Owner's Manual as to the location, maintenance and charging of the vehicle's battery

The auxiliary battery installed under the front passenger seat exclusively operates the refrigerator.

While driving, the alternator charges both batteries.

FOLDING TABLE



To open:

- Pull table top (A) out of clamp (B).
- Push table top all the way up (arrow).
- Make sure table top has clicked securely into open position.

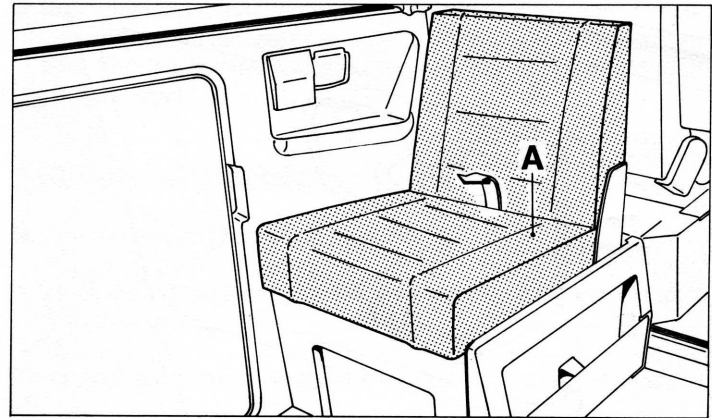
To store:

- Pull hook (C) to release table top.
- Fold top down and clamp into securely stored position.

WARNING

- **The folding table must be in stored position while the vehicle is in motion.**
- **Do not climb onto table top to get to the upper bunk bed. The folding table design cannot support heavy weights.**

SINGLE SEAT

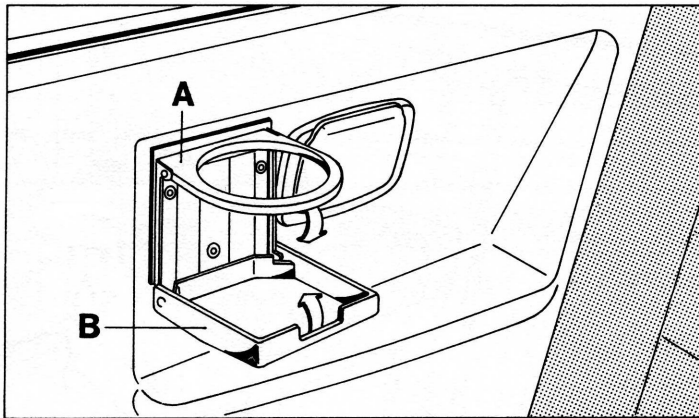


To gain access to the storage box underneath, lift seat cushion (A) in direction of arrow

Please refer to the Owner's Manual for adjustment procedures of the front bucket seats.

TABLES AND SEATS

CUP HOLDER

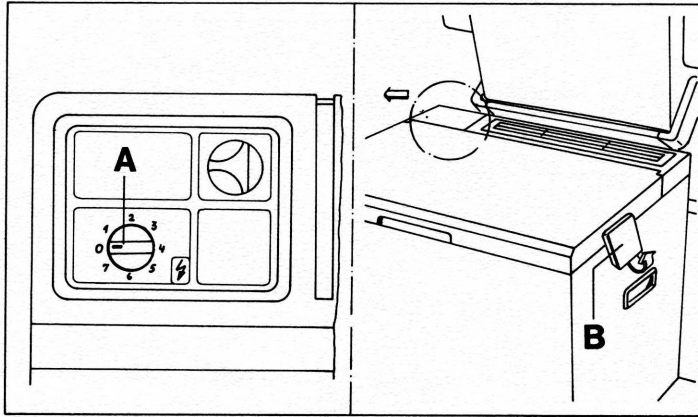


To close:

- Fold bracket (A) down (arrow).
- Fold bracket (B) up (arrow).

To open cup holder, reverse the above procedure.

ELECTRIC OPERATION



- If refrigeration is needed while camping for any length of time, we recommend the use of an outside electrical 110-Volt connection. For details refer to instructions on the refrigerator's identification label.

110-Volt AC electricity

- Turn thermostat knob (A) to position 7.
- When the refrigerator's interior is sufficiently cold, turn the knob to a lower setting.

To open the refrigerator, pull the lid lock (B) in direction of arrow.

12-Volt battery power

- Plug the refrigerator's 12-Volt cable into plug on battery case below the passenger seat.
- 12-Volt refrigeration cannot be controlled thermostatically.

The 12-Volt socket is secured by a 16 Amp. fuse, which is located in the battery case below the passenger's seat.

NOTES

- When the engine is not running, the auxiliary battery will power the refrigerator. Consequently, cooling capacity and duration depend on the battery's state of charge. The auxiliary battery will discharge in about 7½ hours.

REFRIGERATOR

DEFROSTING/CLEANING

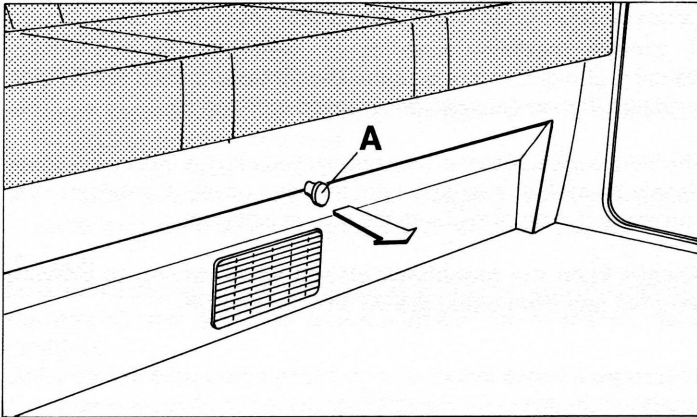
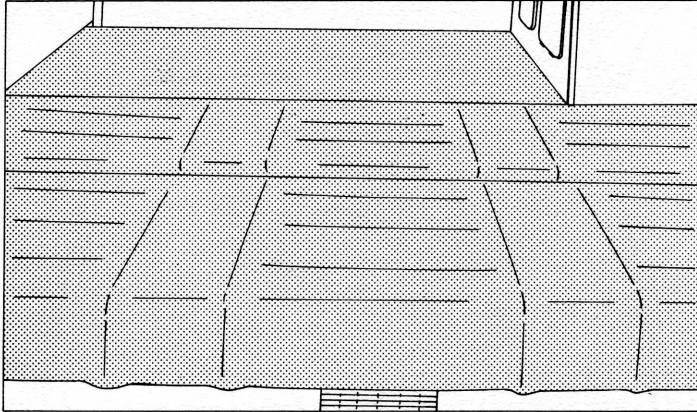
Check for ice an eye on the ici formation on the evaporator core. Too much ice build-up reduces cooling efficiency. We recommend frequent defrosting. Never let the ice thicken more than 1/8" (3-4 mm).

To defrost:

- Disconnect electrical cable and turn knob (A) to position "0"
- Empty the refrigerator and leave lid open.
- When defrosted, sponge up excess water.
- Clean interior and evaporator with a lukewarm water and baking soda solution.

To keep the seal around the lid air tight, use clear water only for cleaning. Chemical additives, oil and grease must not come in contact with the seal.

BEDS

**Lower bed**

The rear seat bench unfolds to become a full-size double bed. To set up the bed 1:

- push safety belts between seat cushion and backrest;
- pull knob (A) to unlatch the seat cushion;
- lift seat cushion slightly and pull forward till backrest falls flat;
- lift seat cushion up and tilt 95° toward rear;
- pull tilted seat cushion forward again to form the rear deck mattress.

When returning the rear bench to an upright position, lift the seat cushion up till the side hinges snap the backrest into position. Then swing the entire unit toward to you and make sure the safety catch on the storage locker is securely engaged. Replace safety belts on top of seat ready for use.

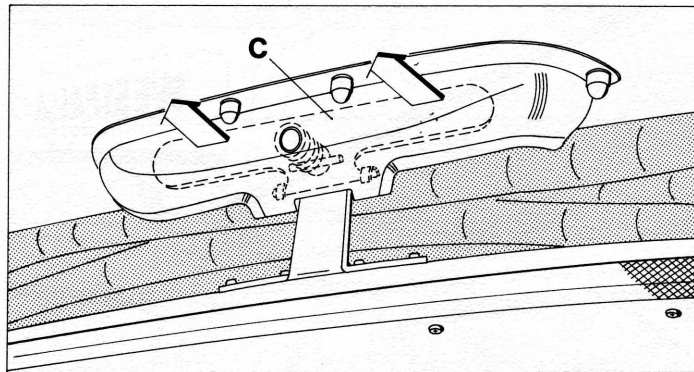
Warnings

- **Do not place heavy or sharp edged objects on the rear deck mattress to avoid damaging the upholstery. Such objects may also become dislodged while driving and cause injury.**
- **Do not use the double bed to carry passengers.**
- **Do not allow children to sit or kneel on the rear deck while the vehicle is in motion.**
- **When the vehicle is in motion, make sure that the seat bench is securely locked in an upright position and that all passengers wear safety belts.**

Roof bed

A double bed mattress is built into the pop-up roof. The bed is folded away when the roof is down. With the roof up, pull the mattress toward you about 4" (10 cm) and then fold open.

POP-UP ROOF



The roof of the Camper is equipped with a fiberglass-reinforced polyester top. The larger rear portion is the **actual pop-up roof**.

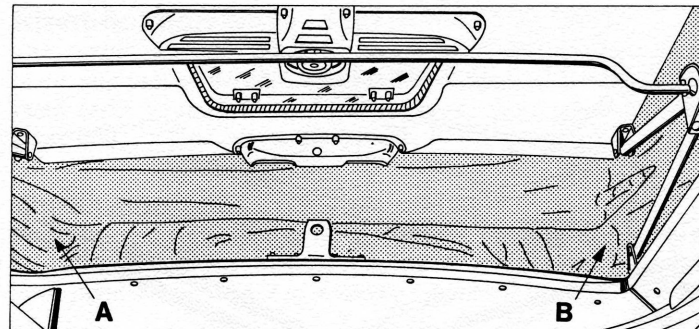
To raise the pop-up roof

- Reach behind lock cover with both hands and firmly press lock latch **(C)** in direction of arrows.
- Push the roof up as high as possible.
- Grasp the crossbar and push up all the way until the strut supports at the front of the pop-top are securely locked into position.

Caution

To prevent damage to the top and sides of the pop-up roof, the Camper should never be driven with the top in the elevated position.

Before closing the pop-up roof, open a door or window to prevent the canvas sides from billowing out due to air pressure build-up.



To close the top

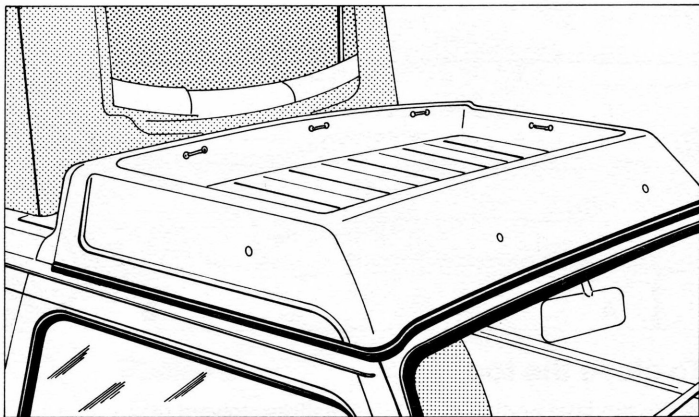
- Flip the front portion of roof bed mattress toward rear.
- Pull the crossbar back and slowly lower the roof.
- As you lower the top, gather in the canvas sides of the top **A & B**. Have someone outside the vehicle help make sure the fabric does not stick out from the sides of the roof.
- When you are sure that no canvas is caught in hinges or latch, grasp lock cover with both hands and pull down until lock latch snaps shut securely

NOTES

- To prevent mildew from forming on the flocking and the canvas of the pop-up top, the roof should never be closed when wet.
- When raising the pop-up top, keep the front flap in the canvas open to assure fresh air circulation.
- Air circulation must not be hindered by storing bedding, etc., on the surface of the rear portion of the roof bed mattress.

ROOF

LUGGAGE RACK



The front section of the roof contains the luggage rack, which is equipped with buffer rods and tie-down hooks to secure baggage. The rack is accessible through the front flap of the pop-up roof. All baggage carried on the roof rack must be firmly tied down. Commercially available spider straps will keep the cargo from shifting.

Do not exceed the maximum permissible roof rack weight of 110 lbs or 50 kg.

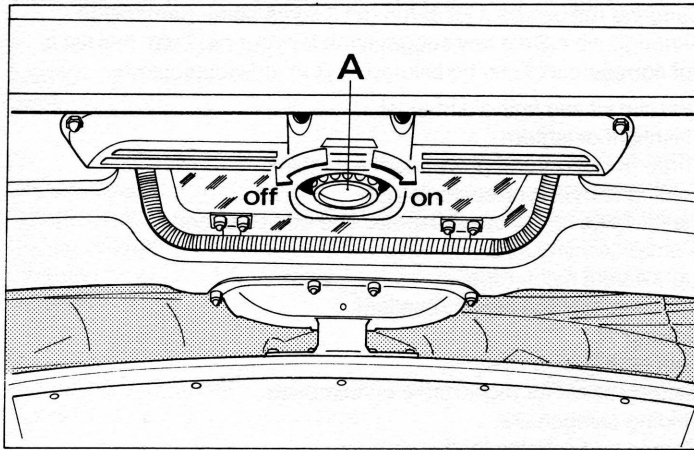
ROOF HINGES



The hinge pins on the strut support of the pop-up roof should be lightly oiled from time to time, to assure easy opening and closing of the top.

Before closing the pop-up roof, open a door or window to prevent the canvas sides from billowing out due to air pressure build-up.

ROOF VENTILATION



To **open** vent, turn hand wheel (A) toward “on.”

To **close** vent, turn hand wheel to the “off” position.

Identification plate

The identification plate in the lower left-hand corner on the kick panel of the rear seat bench contains the vehicle type and Camper equipment serial number. Please give these numbers when ordering spare parts for the Camper equipment.

Ventilation

When using the Camper as living quarters, fresh air circulation is important for your well-being and safety. Keep both front vent windows open or lower the door windows a few inches to let in fresh air.

Pop-up roof

If the roof bed is not in use very often, open the pop-up roof periodically to let fresh air circulate. You may also remove the mattress for airing to prevent mildew.

Cleaning

Roof top – The luggage rack and the hood of the pop-up roof can be cleaned with clear water or with a commercial polish suitable for lacquered surfaces.

Curtains – The curtains can be dry cleaned or hand washed in warm water using a mild detergent.

Upholstery – The 100% polyester fabric in your Camper is protected by Scotchguard®. Vacuum or use dry shampoo.

Cabinets – Cabinets, paneling and other plastic interior trim can be cleaned by wiping with a damp cloth. For heavy dirt or stains use VW All-purpose Cleaner available at your VW dealer.

Avoid harsh cleaning agents and always follow instructions on the container.

GENERAL

When cleaning cabinets, floors and upholstery, never use gasoline, kerosene, naphtha, nail polish remover or any other volatile solvents. They may be toxic, flammable or hazardous in other ways. Keep all cleaning agents out of the reach of children.

Camping gear

Camping out can be a lot of fun but it takes some preparation. Although we have a few suggestions for your next trip, this list is not complete and can be tailored to your individual needs.

First-aid kit and first-aid manual.

Flashlight or lantern.

Three prong ground power cord extension.

Folding shovel (entrenching tool).

Plastic bags for garbage disposal and odds and ends.

A small saw and axe.

Lightweight nylon rope.

Suntan lotion and insect repellent.

Sewing kit.

Rain gear, just in case.

Canopy cover for picnic table on campsite.

Folding campchairs.

Games and puzzles for the children.

- B**
Battery 6
Beds 11
- C**
Camper seat 4
Camping gear 16
Ceiling cabinet 5
Cleaning 10, 15
Curtains 12
- D**
Defrosting refrigerator 10
Doors 5
- E**
Electric refrigeration 9
Electrical system 6
- I**
Insect screens 12
Interior light 6
- L**
Linen closet 5
Luggage rack 14
- P**
Pop-up roof 13-14
- R**
Rear deck mattress 11
Rear seat bench 4, 11
Refrigeration-electric 9
Refrigeration-fuse 9
Refrigerator 9
Refrigerator defrosting 10
Roof bed 11
Roof hinges 14
Roof ventilation 15
- S**
Seats 7-8
Storage chest 4
Storage locker 4
- V**
Ventilation-general 15
Ventilation-sleeping 12, 13
- T**
Tables 7

